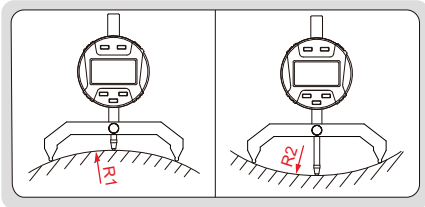


DIGITAL RADIUS GAGE

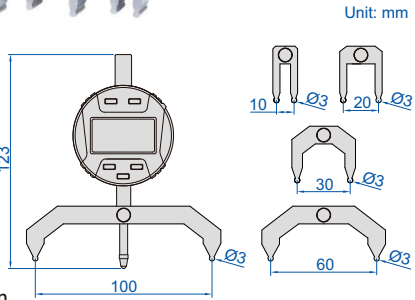
DATA
OUTPUT



- Resolution: 0.01mm/0.001"
- Buttons: on/off, hold, mm/inch, s (select jaws), zero
- Measure radius of internal or external arcs
- Cylindrical measuring jaws, self-positioning
- Display can be rotated by 320°
- Supplied with 5 jaws for different sizes of arc
- Battery CR2032, automatic power off (time is adjustable)
- Data output
- Optional accessory: calibration standard (code **2183-BLOCK**), data output cable (code **7315-2183**, **7302-2183**)

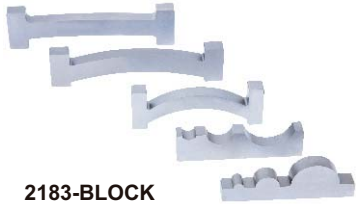


2511



Code	Range of external radius (R1)	Range of internal radius (R2)	Accuracy (mm)
2511	5-910mm/0.2-35.83"	7-910mm/0.3-35.83"	±0.005R*

* R is the radius to be measured. For example, radius is 100mm, the accuracy is ±0.005x100=±0.5mm



2183-BLOCK



calibration standard application

Calibration standard (optional)

Code	Remark
2183-BLOCK	includes 5 standard blocks